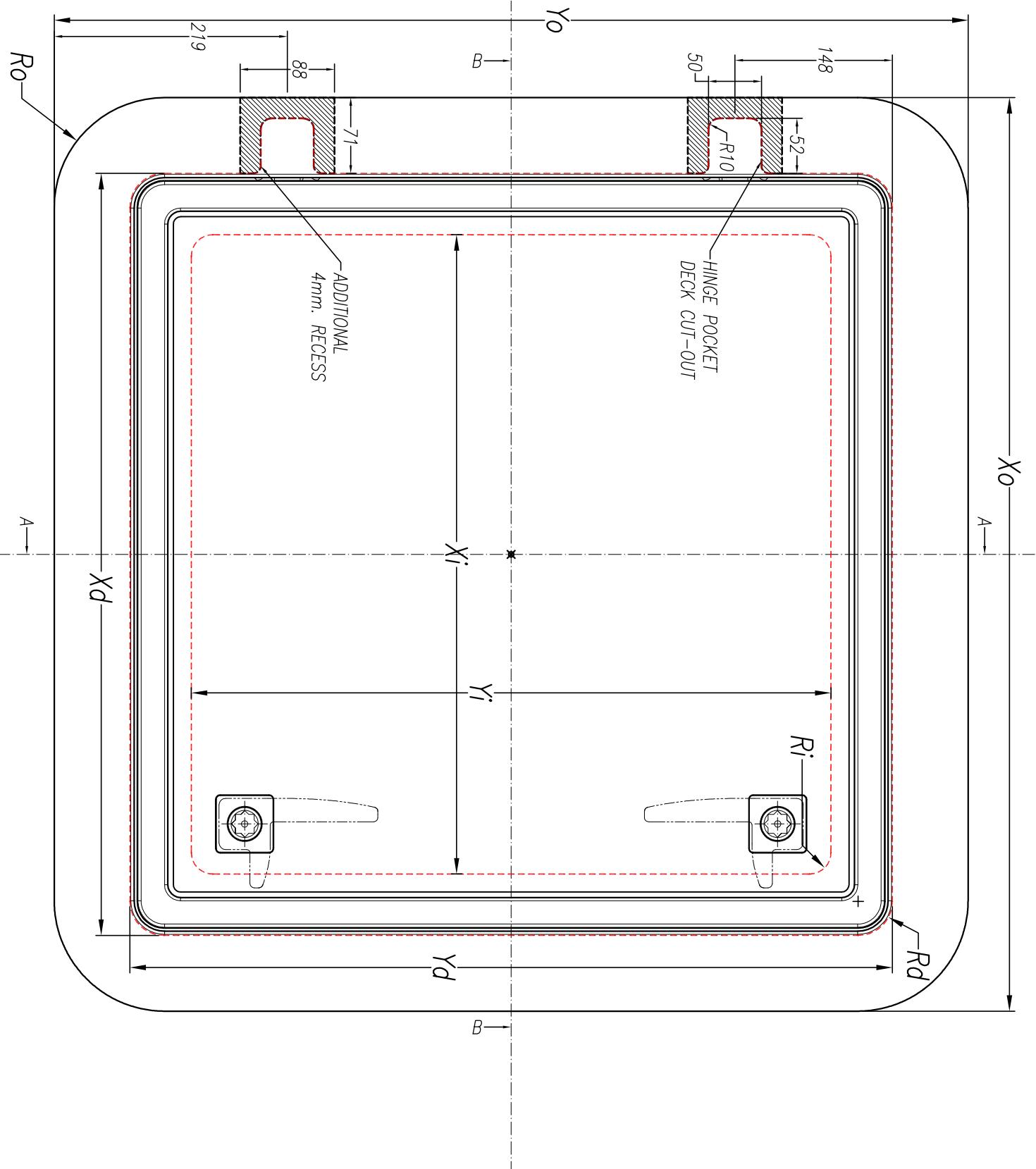


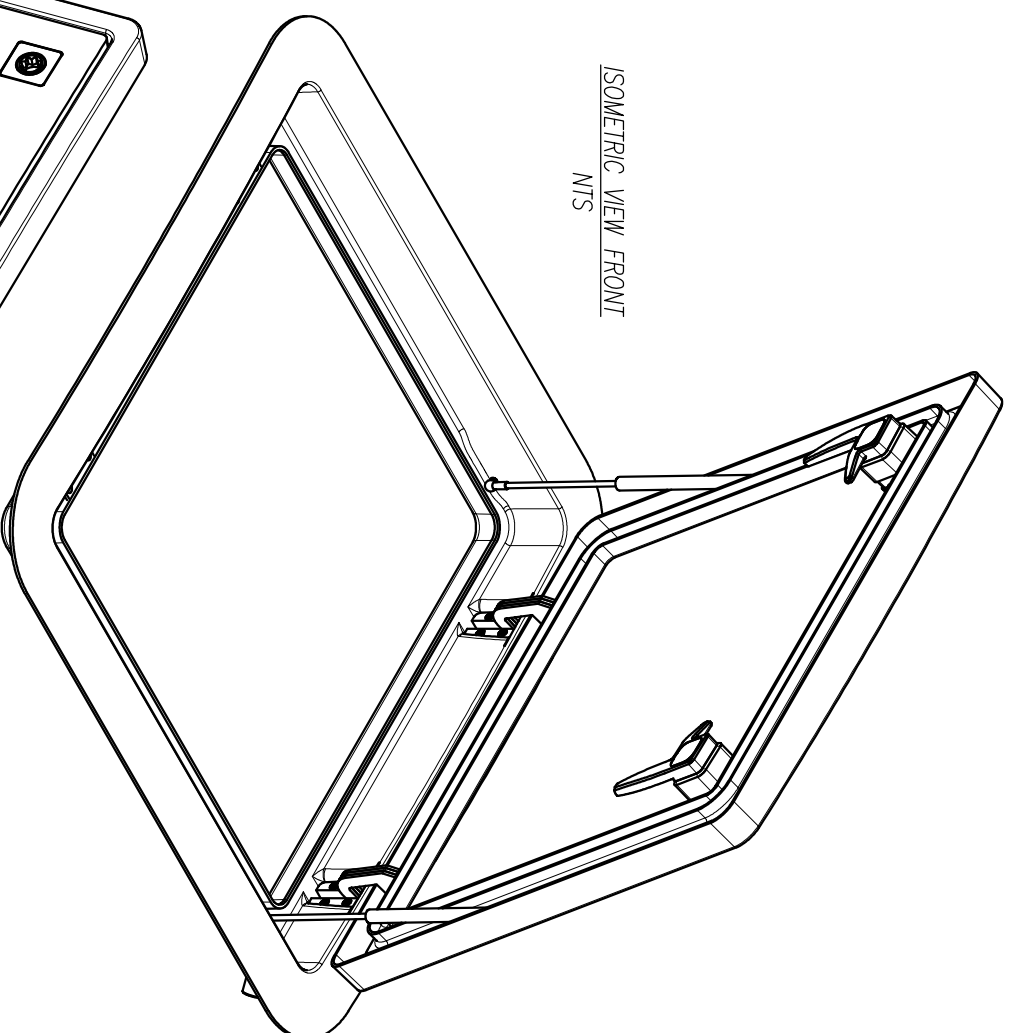


SECTION 'A-A'

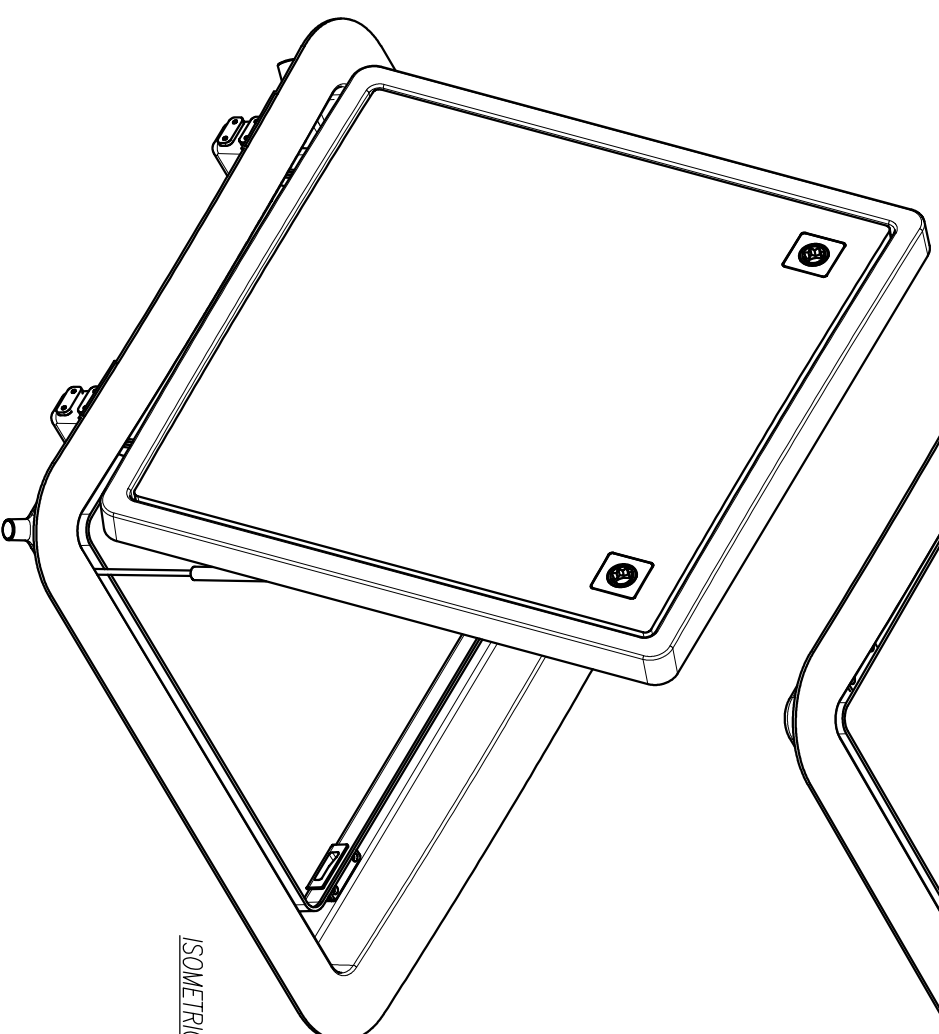


SECTION 'B-B'

ISOMETRIC VIEW FRONT  
NTS



ISOMETRIC VIEW BACK  
NTS



Rev	Date	By	Revision

DESIGN: MK.IV FLUSH DECK HATCH

CLIENT: HYBRID COMPOSITE

TITLE: GENERAL LAYOUT

SCALE: 1:5 on A3  
 DRAWING: TW  
 DATE: 10/11/2010  
 SHEET: 1 of 1  
 ORDER: TW



THIS DRAWING HAS NOT BEEN APPROVED FOR CONSTRUCTION. ALL DIMENSIONS AND MATERIALS SHOWN WITHOUT THE WRITTEN CONSENT OF HYBRID COMPOSITE. © 2010 HYBRID COMPOSITE. ALL RIGHTS RESERVED.